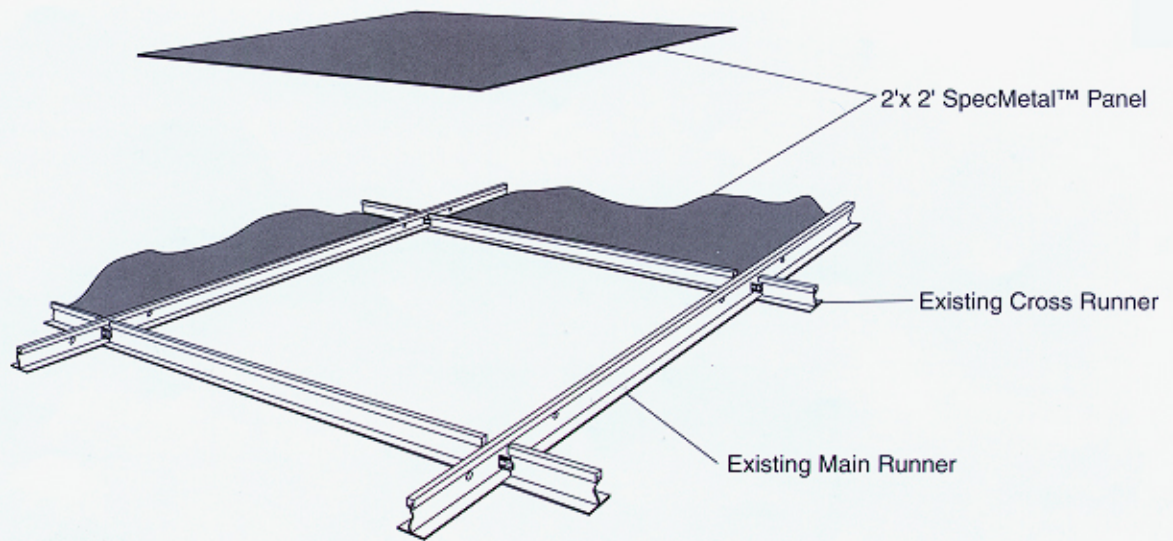
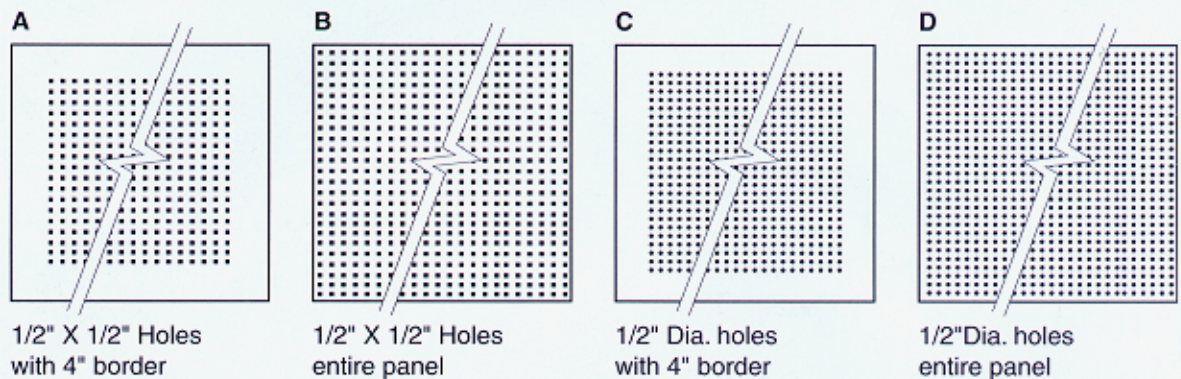


## PERSPECTIVE



## OPTIONAL PERFORATIONS



## APPLICATION DATA

SpecMetal™ panel size (nom):	2' x 2' or 2' x 4'
Panel material:	.025 Aluminum w/baked enamel finish
Weight (solid panels only):	.375 lbs./ square foot
Weight (border panels only):	.25 lbs./ square foot
Weight (entire panels only):	.20 lbs./ square foot
Standard finishes:	11 specular and 5 solid color
Custom finishes:	Available upon inquiry

## SUGGESTED SPECIFICATIONS

Furnish and install SpecMetal™ panels #SM0000-0-00 manufactured by Ceiling Designs, Inc. and represented by (name and phone number of CDI sales representative) in all locations where indicated on the plans.

All materials shall be installed in accordance with the manufacturer's Installation Instructions.

Size Style Color

Typical part #: SM2424 -C -27

**CEILINGS DESIGNS, INC.**

11693 San Vicente Boulevard, PMB 333  
Los Angeles, California 90049  
Phone: (310) 476-8729  
FAX: (310) 398-5796