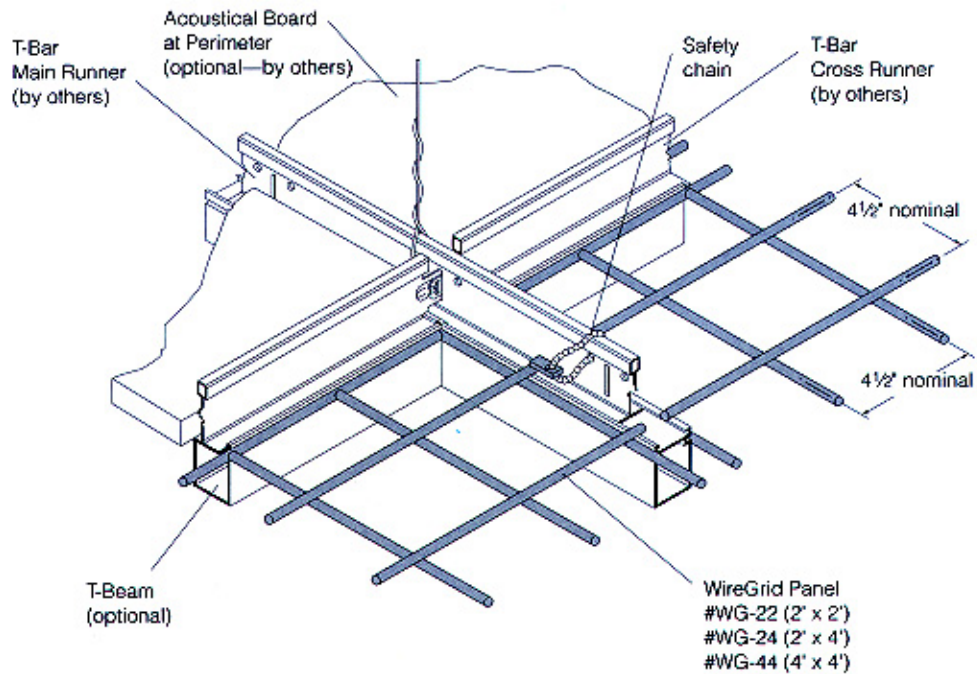
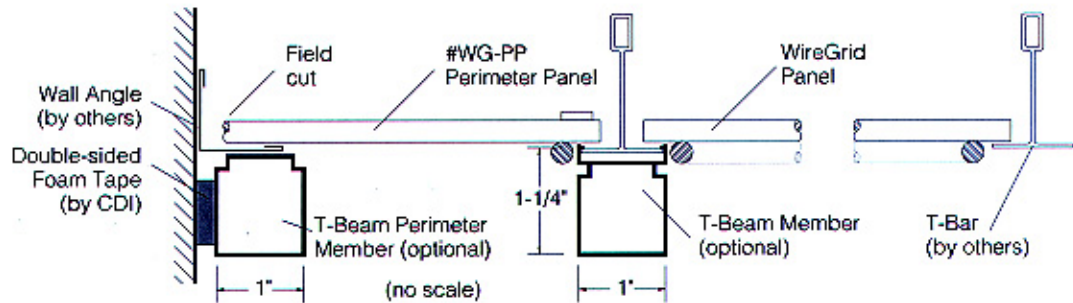


DETAILS



STANDARD WIREGRID DETAIL AT PERIMETER



APPLICATION DATA

| | |
|-----------------------------|---------------------------------|
| WireGrid panel size (nom.): | 2' x 2', 2' x 4', 4' x 4'. |
| Panel material: | 1/4" diameter rigid steel wire. |
| Weight (panel only): | One pound per square ft. |
| T-Bar grid required: | Any grid with 15/16" flange. |
| Standard Finishes: | White and Polished Chrome |
| Custom Finishes: | Available upon inquiry. |

SUGGESTED SPECIFICATIONS

Furnish and install (#WG-22, #WG-24, #WG-44) WireGrid panels manufactured by Ceiling Designs, Inc. and represented by (name and phone number of CDI sales representative) in all locations where indicated on the plans.

All materials shall be installed in accordance with the manufacturer's *Installation Instructions*.
(Option: If using T-Beam, consult T-Beam Fact Sheet for specification information).